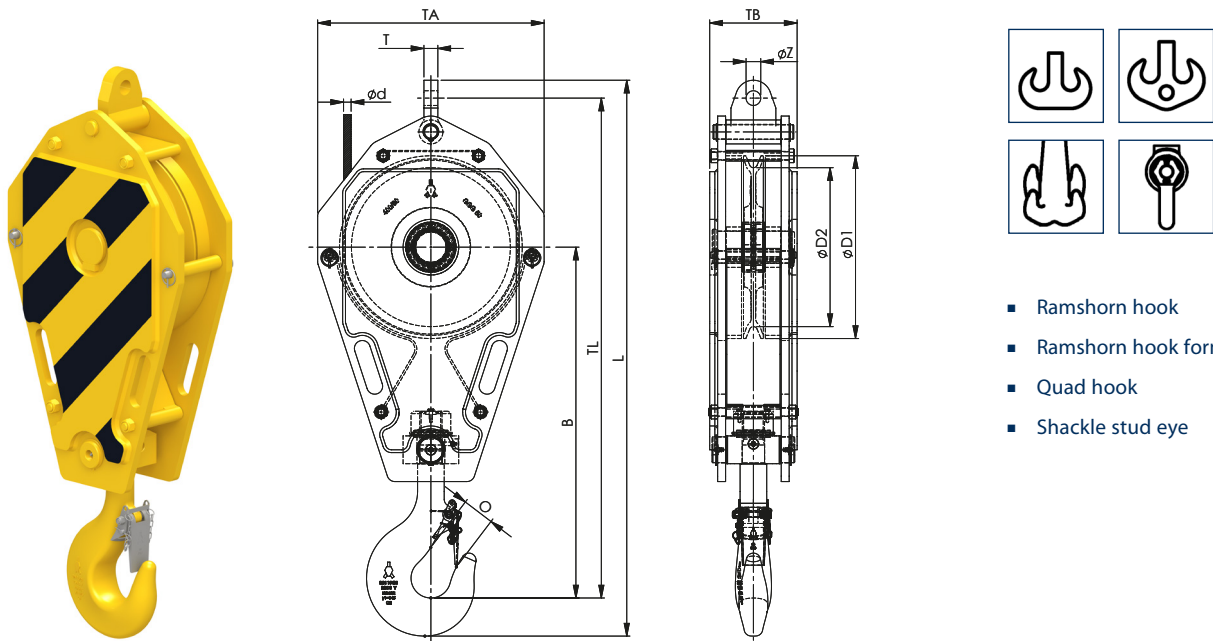


<< FAST REEVE CRANE BLOCKS

1 SHEAVE



- Ramshorn hook
- Ramshorn hook form B
- Quad hook
- Shackle stud eye

Model Nr.	WLL (Mtons)	For wire ød (mm)	Hook size	Dimensions (mm)										Weight (kg)
				øD1	øD2	B	O	TA	TB	TL	L	T	øZ	
FRB 450.24.1.32.E.A	32	24	10	515	450	1003	76	600	250	1426	1592	45	52	455
FRB 450.24.1.32.E.B	32	24	10	515	450	1003	76	600	333	1426	1592	45	52	590
FRB 450.24.1.40.E	40	24	12	515	450	1074	84	600	333	1497	1675	45	52	590
FRB 450.26.1.32.E.A	32	26	10	515	450	1003	76	600	250	1426	1592	45	52	450
FRB 450.26.1.32.E.B	32	26	10	515	450	1003	76	600	333	1426	1592	45	52	590
FRB 450.26.1.40.E	40	26	12	515	450	1074	84	600	333	1497	1675	45	52	590
FRB 450.26.1.50.E.A	50	26	12	515	450	1094	97	600	333	1514	1706	45	52	590
FRB 450.26.1.50.E.B	50	26	12	515	450	1094	97	600	363	1514	1706	45	52	680
FRB 528.24.1.40.E	40	24	12	595	528	1114	84	710	323	1592	1770	45	52	680
FRB 528.24.1.50.E	50	24	12	595	528	1111	97	710	343	1589	1781	45	52	750
FRB 528.26.1.40.E	40	26	12	595	528	1114	84	710	323	1592	1770	45	52	680
FRB 528.26.1.50.E	50	26	12	595	528	1111	97	710	343	1589	1781	45	52	750
FRB 528.28.1.40.E	40	28	12	595	528	1114	84	710	323	1592	1780	50	59	680
FRB 528.28.1.50.E	50	28	12	595	528	1111	97	710	343	1589	1791	50	59	750
FRB 575.26.1.40.E	40	26	12	650	575	1138	84	770	313	1643	1821	45	52	750
FRB 575.28.1.50.E	50	28	12	650	575	1144	97	770	313	1649	1851	50	59	750
FRB 575.32.1.63.E	63	32	16	650	575	1223	97	770	353	1738	1945	60	66	975
FRB 630.28.1.50.E	50	28	12	710	630	1172	97	830	323	1717	1919	50	59	975
FRB 630.32.1.63.E	63	32	16	710	630	1253	97	830	323	1798	2005	60	66	975
FRB 670.28.1.63.E	63	28	16	760	670	1248	97	870	453	1813	2015	50	59	1800
FRB 670.32.1.63.E	63	32	16	760	670	1248	97	870	453	1813	2020	60	66	1800

Minimum Ultimate Strength = 4 x WLL

- The dimensions in this table are indicative only. A drawing will always be submitted prior to production and will be the leading document when discussing dimensions.
- Blocks shown here are standard models; inquiries for custom versions are welcome.
- Refer to wire rope manufacturers D/d ratio guideline.
- Optional: Hook locking pin.



SEE OUR WARNING & SAFETY INFORMATION